

PARTS LIST 12-INCH BAND SAW

Model 3110

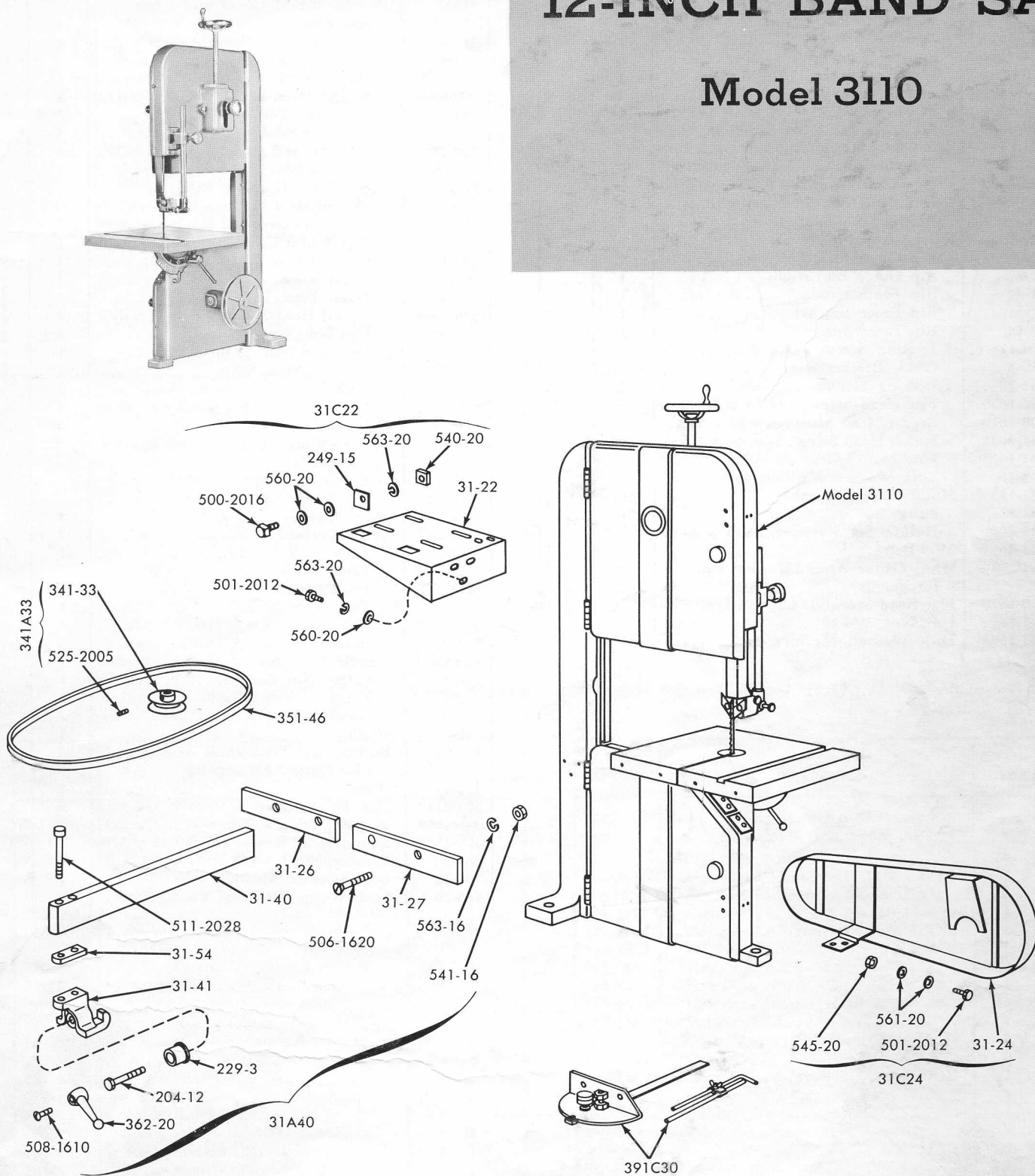


Figure 1. Band Saw and Accessories

WALKER-TURNER
12-INCH BAND SAW

PART NO.	DESCRIPTION	QUAN- TITY	PRICE
Model 3110	Band Saw (See figures 2, 3, and 4 for details)		
31C22	Motor Bracket Assembly	1	
31-22	Motor Bracket	1	
249-15	Washer	2	
500-2016	Square Head Bolt, 5/16-18 x 1	4	
501-2012	Hex Head Screw, 5/16-18 x 3/4	3	
540-20	Square Nut, 5/16-18	4	
560-20	Washer, S't.d., 5/16	11	
563-20	Lock Washer, Medium, 5/16	7	
31C24	Belt Guard Assembly	1	
31-24	Belt Guard	1	
501-2012	Hex Head Screw, 5/16-18 x 3/4	2	
545-20	Hex Jam Nut, 5/16-18	2	
561-20	Washer, S.A.E., 5/16	4	
31A40	Rip Fence Assembly	1	
31-26	Rip Guide Bar, Left	1	
31-27	Rip Guide Bar, Right	1	
31-40	Rip Fence Guide	1	
31-41	Rip Fence Bracket	1	
31-54	Rip Fence Spacer	1	
204-12	Locking Screw Yoke	1	
229-3	Guide Bracket Insert	1	
362-20	Locking Handle	1	
506-1620	Flat Head Screw, 1/4-20 x 1-1/4	4	
508-1610	Round Head Screw, 1/4-20 x 5/8	1	
511-2028	Socket Head Screw, 5/16-18 x 1-3/4	2	
541-16	Hex Nut, 1/4-20	4	
563-16	Lock Washer, Medium, 1/4	4	
341A33	Motor Pulley Assembly	1	
341-33	Pulley	1	
525-2005	Hollow Set Screw, 5/16-18 x 5/16	2	
351-46	"V" Belt	1	
391C30	Mitre Gauge Assembly (See figure 6 for details)		
560-1620	Flat Head Screw, 1/4-20 x 1-1/4	4	
541-16	Hex Nut, 1/4-20	4	
563-16	Lock Washer, Medium, 1/4	4	

PART NO.	DESCRIPTION	QUAN- TITY	PRICE
31A1	Bottom Wheel Housing Assembly (See figure 4 for details)		
31M2	Bottom Wheel Cover and Knob Assembly	1	
31A2	Bottom Wheel Cover Assembly	1	
312-1	Cover Catch	1	
365-5	Cover Knob	1	
508-0908	Round Head Screw, No. 6-32 x 1/2	2	
541-09	Hex Nut, No. 6-32	2	
545-20	Hex Jam Nut, 5/16-18	1	
560-20	Washer, S't.d., 5/16	1	
563-09	Lock Washer, Medium, No. 6	2	
31A3	Top Wheel Housing Assembly (See figure 3 for details)		
31M4	Top Wheel Cover and Knob Assembly	1	
31A4	Top Wheel Cover Assembly	1	
312-1	Cover Catch	1	
365-5	Cover Knob	1	
380-6-1	Name Plate	1	
508-0908	Round Head Screw, No. 6-32 x 1/2	2	
541-09	Hex Nut, No. 6-32	2	
545-20	Hex Jam Nut, 5/16-18	1	
560-20	Washer, S't.d., 5/16	1	
563-09	Lock Washer, Medium, No. 6	2	
598-0503	Drive Screw, No. 2 x 3/16	4	
31-5	Column	1	
31A13	Bottom Wheel Assembly (See figure 4 for details)		
31A16	Upper Guide Block Assembly (See figure 3 for details)		
31-20	Blade Guard	1	
31A28	Table Assembly	1	
31-28	Table	1	
31-29	Table Bracket	1	
32-31	Table Insert	1	
32-32	Table Clip	1	
501-2112	Hex Head Screw, 5/16-24 x 3/4	5	
561-20	Washer, S.A.E., 5/16	5	
216A2	Handle Assembly	1	
216-2	Clamp Nut Bracket	1	
292-9	Table Locking Handle	1	
365-2	Handle Stop	2	
240-13	Washer	1	
252A2	Bushing and Top Wheel Assembly (See figure 3 for details)		
421-11	Blade	1	
501-2112	Hex Head Screw, 5/16-24 x 3/4	8	
506-1008	Flat Head Screw, No. 8-32 x 1/2	8	
508-1306	Round Head Screw, No. 10-32 x 3/8	2	
561-32	Washer, S.A.E., 1/2	1	
563-32	Lock Washer, Medium, 1/2	1	
565-20	Lock Washer, Internal Tooth, 5/16	8	

WALKER-TURNER
12-INCH BAND SAW

PB-4-1

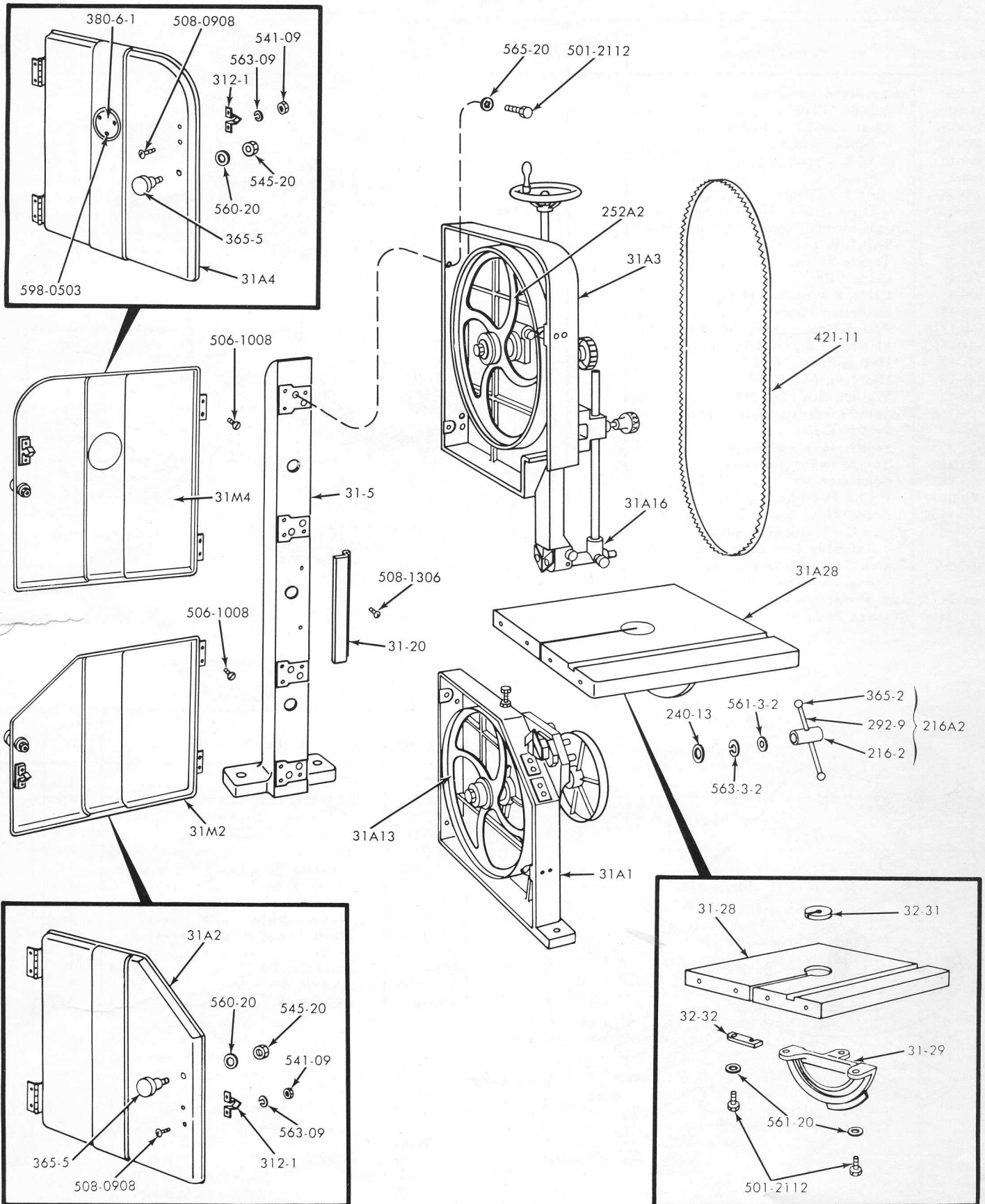


Figure 2. Band Saw Disassembled

WALKER-TURNER
12-INCH BAND SAW

PART NO.	DESCRIPTION	QUAN-TITY	PRICE
31A3	Top Wheel Housing Assembly	1	
31-3	Top Wheel Housing	1	
31-18	Saw Guide Bracket	1	
31A19	Blade Tension Bracket Assembly	1	
31M9	Wheel Adjusting Bracket Assembly	1	
31A9	Idler Shaft Adjusting Bracket Assembly	1	
31-8	Top Wheel Shaft	1	
31-9	Idler Shaft Bracket	1	
571-1016	Groove Pin, No. 1, 5/32 x 1	1	
32-10	Wheel Adjusting Bracket	1	
215-1	Wheel Adjusting Bracket Pin	1	
377-9	Bushing	4	
501-1608	Hex Head Screw, 1/4-20 x 1/2	2	
525-1604	Hollow Set Screw, 1/4-20 x 1/4	2	
561-16	Washer, S.A.E., 1/4	2	
563-16	Lock Washer, Medium, 1/4	2	
31-11	Blade Tension Screw	1	
31-19	Blade Tension Bracket	1	
211A2	Aligning Screw Assembly	1	
211-2	Aligning Screw	1	
365-1-3	Hand Knob	1	
571-1012	Groove Pin, No. 1, 5/32 x 3/4	1	
223-1	Aligning Screw Lock Nut	1	
226-7	Acorn Nut	1	
240-74	Washer	1	
243-2	Idler Shaft Collar	1	
244-2	Key Washer	1	
250-1	Aligning Screw Spacer	1	
290-3	Guide Rod	2	

PART NO.	DESCRIPTION	QUAN-TITY	PRICE
	Blade Tension Bracket Assembly 31A19 (Cont'd.)		
310-1	Tension Adjusting Spring	1	
363A3-4	Tension Screw Handwheel Assembly	1	
363-3-4	Handwheel	1	
364-1	Handle	1	
370-22-1	Bearing	1	
525-2006	Hollow Set Screw, 5/16-18 x 3/8	2	
545-30	Hex Jam Nut, 7/16-24	1	
561-28	Washer, S.A.E., 7/16	1	
211A20	Hand Knob Assembly	1	
211-20	Stud	1	
365-1-3	Hand Knob	1	
571-1012	Groove Pin, No. 1, 5/32 x 3/4	1	
312-2	Cover Catch (Female)	1	
501-2016	Hex Head Screw, 5/16-18 x 1	3	
501-2120	Hex Head Screw, 5/16-24 x 1-1/4	2	
508-0916	Round Head Screw, No. 6-32 x 1	2	
541-09	Hex Nut, No. 6-32	2	
563-09	Lock Washer, Medium, No. 6	2	
563-20	Lock Washer, Medium, 5/16	5	
571-1212	Groove Pin, No. 1, 3/16 x 3/4	2	
31A16	Upper Guide Block Assembly	1	
31-16	Upper Guide Block	1	
31-52	Saw Blade Guide	4	
31A53	Guide Roller Assembly	1	
31-53	Support Roller	1	
252-1	Guide Roller	1	
578-1208	Dowel Pin	1	

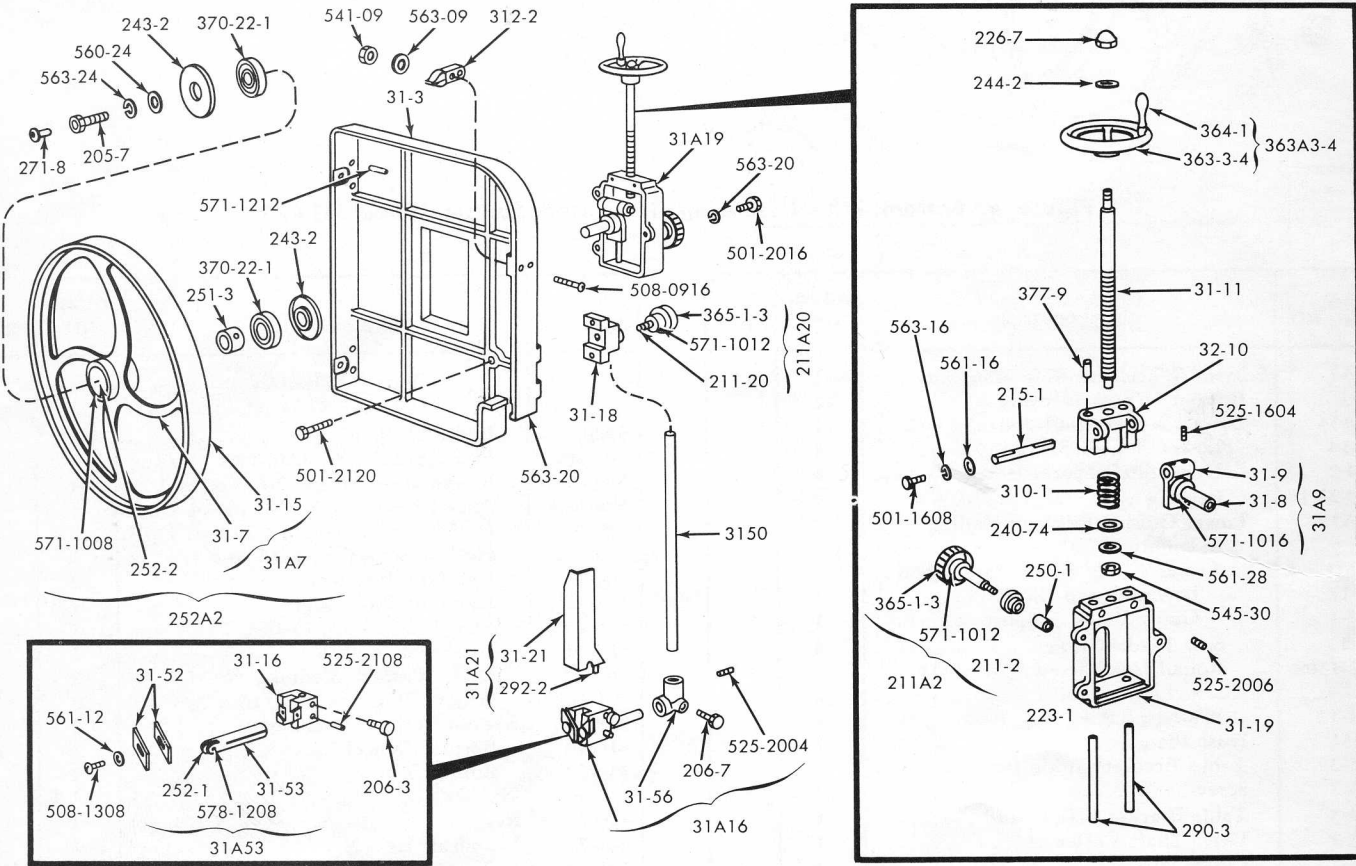


Figure 3. Top Wheel Housing 31A3 and Related Parts

**WALKER-TURNER
12-INCH BAND SAW**

PB-4-1

PART NO.	DESCRIPTION	QUAN-TITY	PRICE
	Upper Guide Block Assembly 31A16 (Cont'd.)		
31-56	Saw Guide Elbow	1	
206-3	Guard Lock Knob	1	
206-7	Roller Support Lock Knob	1	
508-1308	Round Head Screw, No. 10-32 x 1/2	1	
525-2004	Hollow Set Screw, 5/16-18 x 1/4 ..	1	
525-2108	Hollow Set Screw, 5/16-24 x 1/2 ..	1	
561-12	Washer, S.A.E., No. 10	2	
31A21	Adjustable Blade Guard Assembly ...	1	
31-21	Adjustable Blade Guard	1	
292-2	Blade Guard Support	1	
31-50	Support Rod	1	

PART NO.	DESCRIPTION	QUAN-TITY	PRICE
205-7	Hex Screw	1	
243-2	Idler Shaft Collar	2	
251-3	Bearing Inner Spacer	1	
252A2	Bushing and Top Wheel Assembly ...	1	
31A7	Top Wheel Assembly	1	
31-7	Top Wheel	1	
31-15	Rubber Tire	1	
252-2	Bushing	1	
571-1008	Groove Pin, No. 1, 5/32 x 1/2	1	
271-8	Ball Oiler	1	
370-22-1	Bearing	2	
560-24	Washer, St'd., 3/8	1	
563-24	Lock Washer, Medium, 3/8	1	

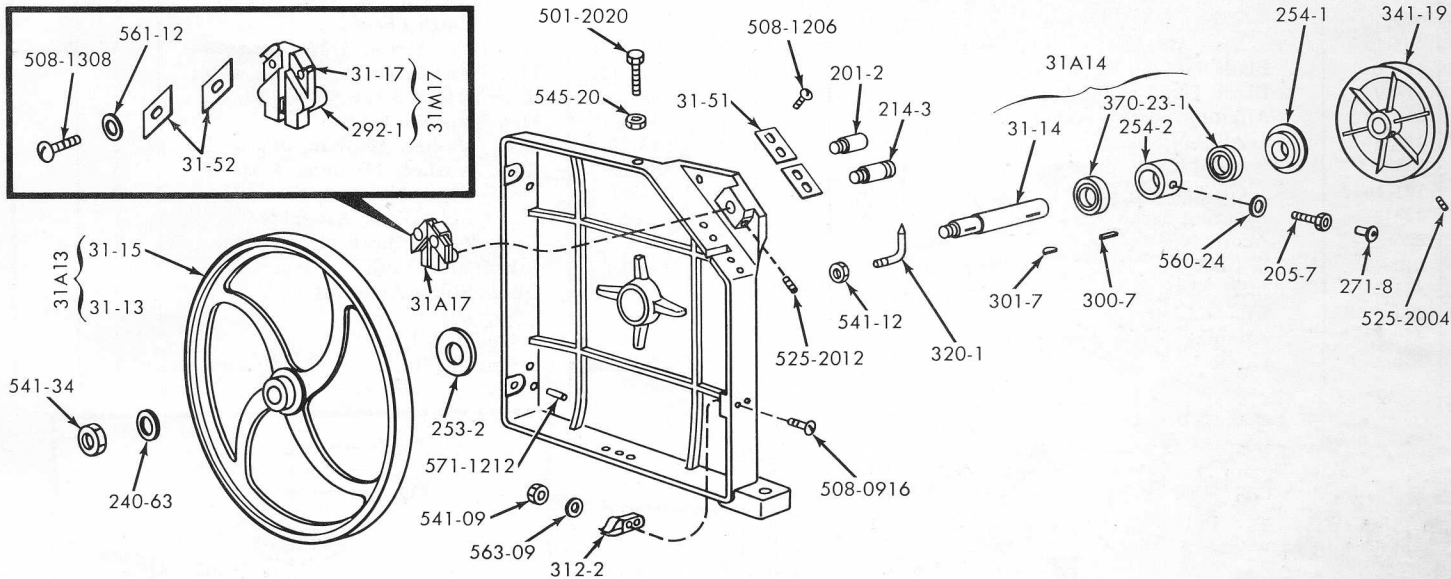
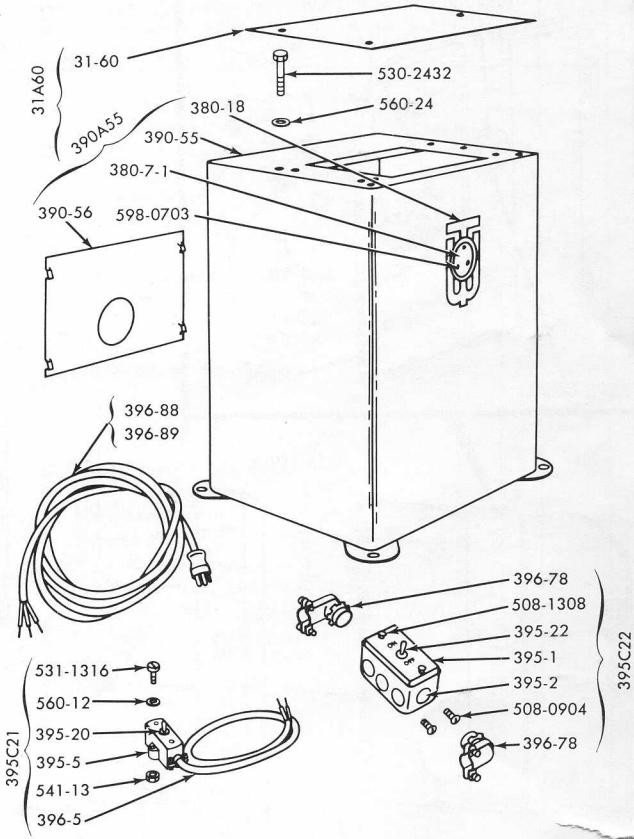


Figure 4. Bottom Wheel Housing 31A1 and Bottom Wheel 31A13

PART NO.	DESCRIPTION	QUAN-TITY	PRICE
31A1	Bottom Wheel Housing Assembly ...	1	
31-1	Bottom Wheel Housing	1	
31A14	Lower Wheel Shaft Assembly	1	
31-14	Lower Wheel Shaft	1	
254-2	Drive Shaft Spacer	1	
370-23-1	Bearing	2	
31A17	Lower Guide Block and Guides Assembly	1	
31M17	Lower Guide Block Assembly ...	1	
31-17	Lower Guide Block	1	
292-1	Guide Block Support	1	
31-52	Saw Blade Guide	4	
508-1308	Round Head Screw, No. 10-32 x 1/2	2	
561-12	Washer, S.A.E., No. 10	2	
31-51	Dust Plate	2	
201-2	Table Bracket Guide Pin	2	
205-7	Screw	1	
214-3	Table Bracket Clamp Stud	1	
253-2	Drive Shaft Collar	1	
254-1	Collar Spacer	1	
271-8	Ball Oiler	1	
312-2	Cover Catch (Female)	1	

PART NO.	DESCRIPTION	QUAN-TITY	PRICE
	Bottom Wheel Housing Assembly 31A1 (Cont'd.)		
320-1	Indicator Point	1	
501-2020	Hex Head Screw, 5/16-18 x 1-1/4 ..	1	
508-0916	Round Head Screw, No. 6-32 x 1 ...	2	
508-1206	Round Head Screw, No. 10-24 x 3/8	4	
525-1604	Hollow Set Screw, 1/4-20 x 1/4 ...	2	
525-2012	Hollow Set Screw, 5/16-18 x 3/4 ...	1	
541-09	Hex Nut, No. 6-32	2	
541-12	Hex Nut, No. 10-24	1	
545-20	Hex Jam Nut, 5/16-18	1	
560-24	Washer, St'd., 3/8	1	
563-09	Lock Washer, Medium, No. 6	2	
571-1212	Groove Pin, No. 1, 3/16 x 3/4 ...	2	
31A13	Bottom Wheel Assembly	1	
31-13	Bottom Wheel	1	
31-15	Rubber Tire	1	
240-63	Washer	1	
300-7	Key	1	
301-7	Woodruff Key, No. 7	1	
341-19	Pulley	1	
525-2004	Hollow Set Screw, 5/16-18 x 1/4	1	
541-34	Hex Nut, 1/2-24	1	

PART NO.	DESCRIPTION	QUAN- TITY	PRICE
31A60	Floor Stand Assembly	1	
31-60	Adapter Plate	1	
390A55	Floor Stand	1	
380-7-1	Name Plate	1	
380-18	W-T Decal	1	
390-55	Stand	1	
390-56	Access Cover	1	
598-0703	Drive Screw, No. 4 x 3/16	3	
395C21	Toggle Switch Assembly (Single Phase)	1	
395-5	Switch Box	1	
395-20	Toggle Switch	1	
396-1	Cable Clip	1	
396-5	Cable, 2 wire, No. 14 Ga., 41-in. lgh.	1	
396-43	Insulating Paper	1	
508-1310	Round Head Screw, No. 8-32 x 5/8	2	
531-1316	Flat Head Screw, No. 10-32 x 1 ...	2	
541-10	Hex Nut, No. 8-32	2	
541-13	Hex Nut, No. 10-32	2	
560-12	Washer, St'd., No. 10	2	
395C22	Toggle Switch Assembly (Three Phase)	1	
395-1	Switch Cover	1	
395-2	Switch Housing	1	
395-22	Toggle Switch, 3 pole	1	
396-78	Connector, 90°	1	
508-0904	Round Head Screw, No. 6-32 x 1/4	4	
508-1308	Round Head Screw, No. 10-32 x 1/2	2	
396-88	Power Cord with Grounding Plug Assembly (for 220 volts)	1	
396-89	Power Cord with Grounding Plug Assembly (for 110 volts)	1	
530-2432	Lag Screw, 3/8 x 2	3	
560-24	Washer, St'd., 3/8	3	



**Figure 5. Floor Stand 31A60
and Related Parts**

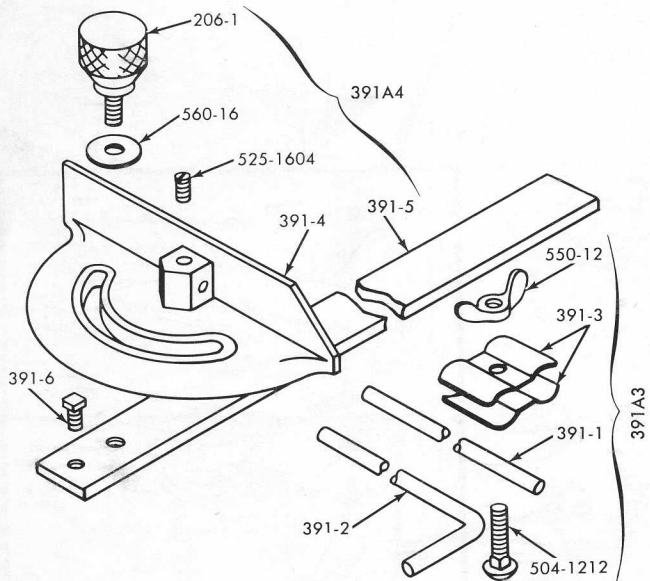


Figure 6. Mitre Gauge 391C30

PART NO.	DESCRIPTION	QUAN- TITY	PRICE
391C30	Mitre Gauge Assembly	1	
391A3	Clamp and Rod Assembly	1	
391-1	Adjusting Gauge Rod	1	
391-2	Adjusting Gauge Rod	1	
391-3	Clamp	2	
504-1212	Carriage Bolt, No. 10-24 x 3/4 ..	1	
550-12	Wing Nut, No. 10-24	1	
391A4	Mitre Gauge Assembly	1	
206-1	Adjusting Nut	1	
391-4	Mitre Gauge Bracket	1	
391-5	Strip	1	
391-6	Indicator Point	1	
525-1604	Hollow Set Screw, 1/4-20 x 1/4 .	1	
560-16	Washer, St'd., 1/4	1	