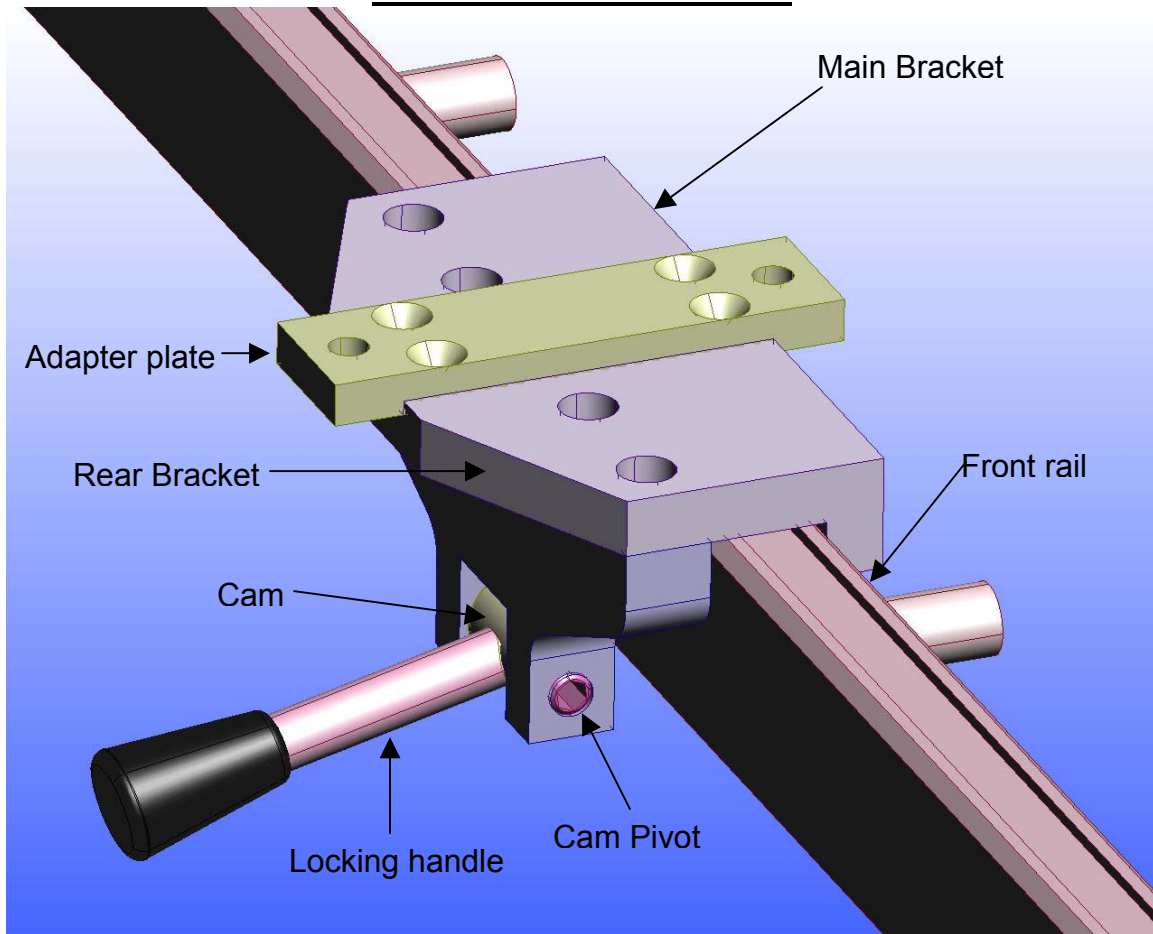


Band saw fence notes



Random notes in no particular order:

The fence body itself isn't shown and can be any shape you like. The .343" holes in the adapter plate are for bolting the fence down and also provide an adjustment point for tracking.

The cam pivots are 5/16"-18 socket head cap screws with the threaded portion shortened to 1/4" and the heads turned down to 1/2" diameter

The front rail bolts to the table of the saw with 3/8-16 threaded rod and 3/4" diameter spacers. The lengths and location of the mounting holes in the front rail should be adjusted for the particular saw it will be attached to.

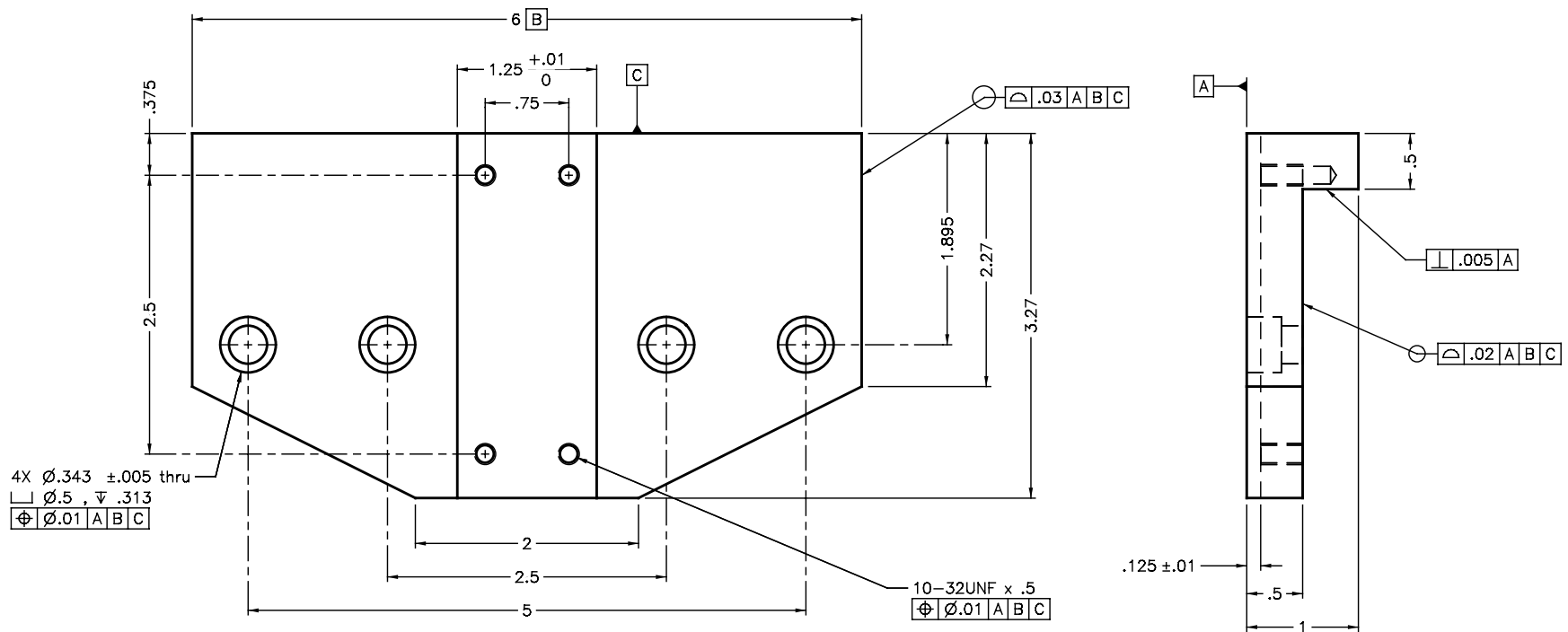
The main and rear bracket are attached with 5/16"-18 X 1" socket head cap screws.

The main bracket and adapter plate are attached with #10-32 X 3/4" flat head screws.

A 1/2" wide measuring tape fits in the groove cut in the top of the front rail.

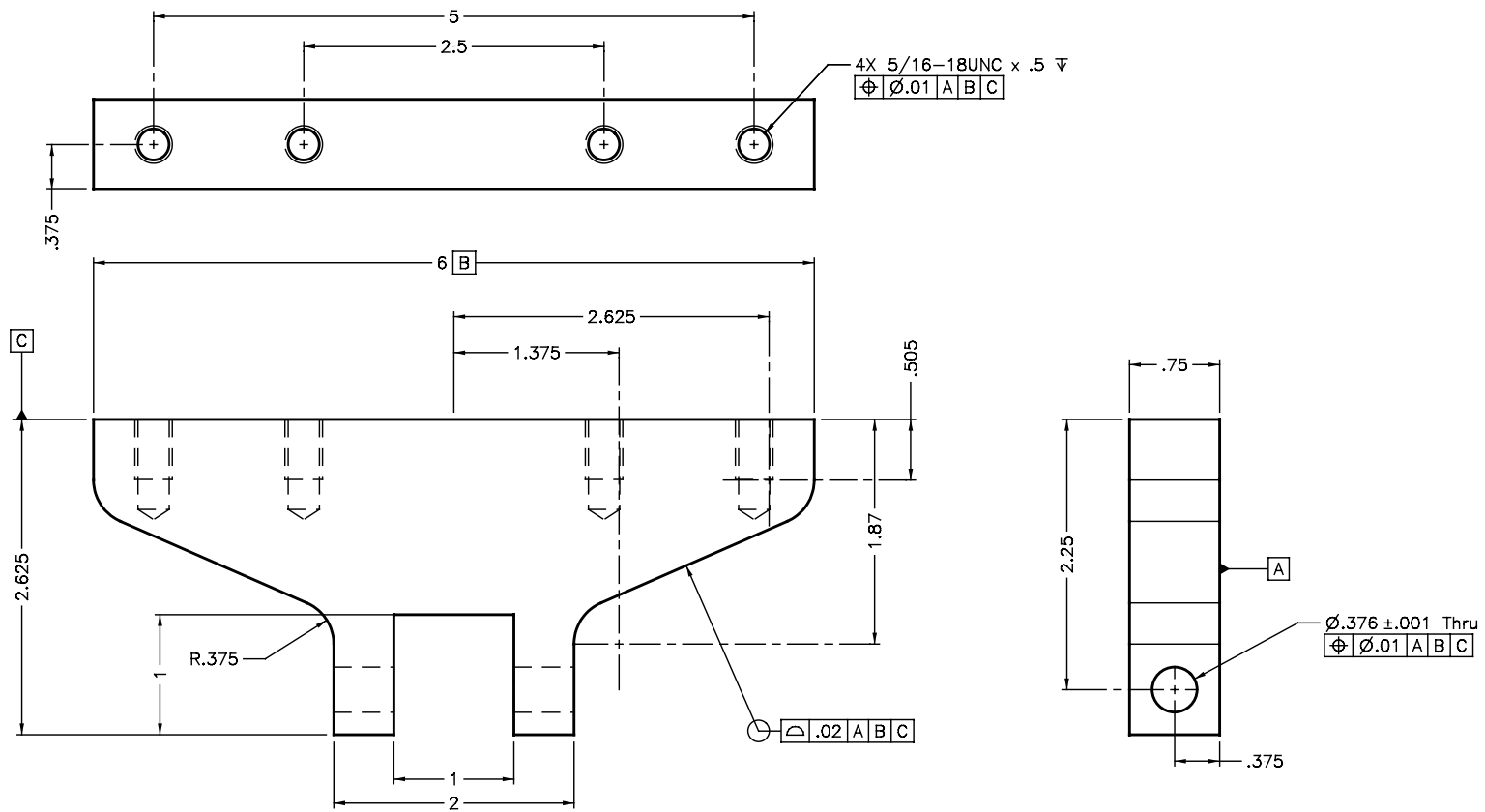


Dimensioning and Tolerancing per ASME Y14.5
Units in inches



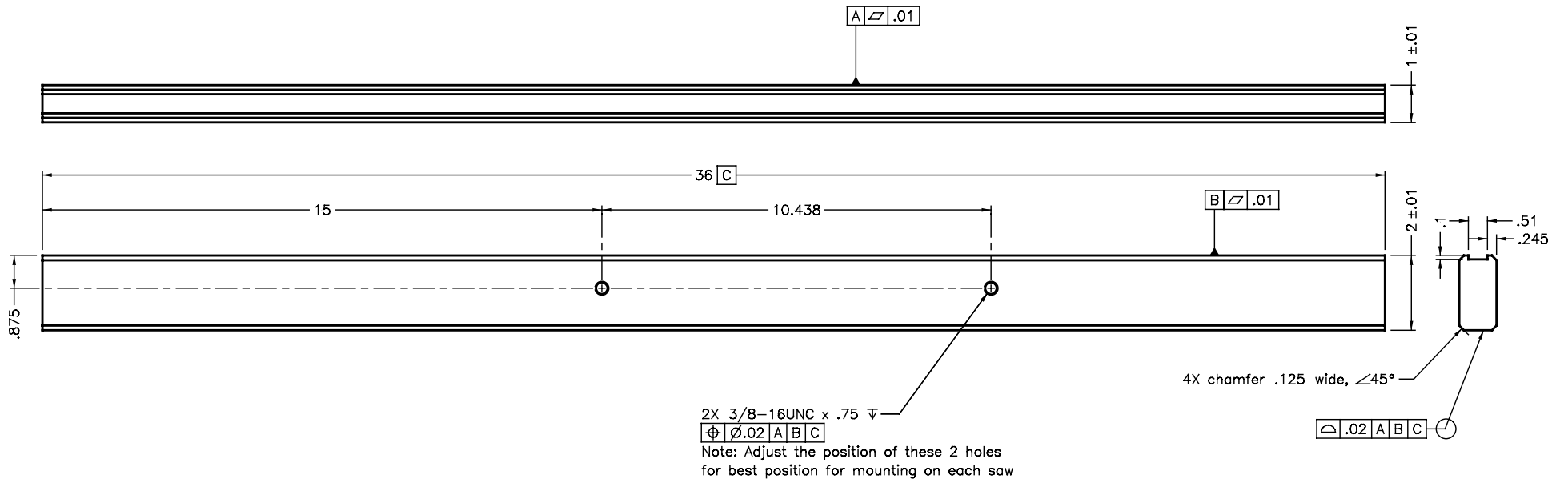
Band saw fence
Main bracket
Material: 6061-T6 aluminum
Finish: Hard Anodize

Dimensioning and Tolerancing per ASME Y14.5
Units in inches

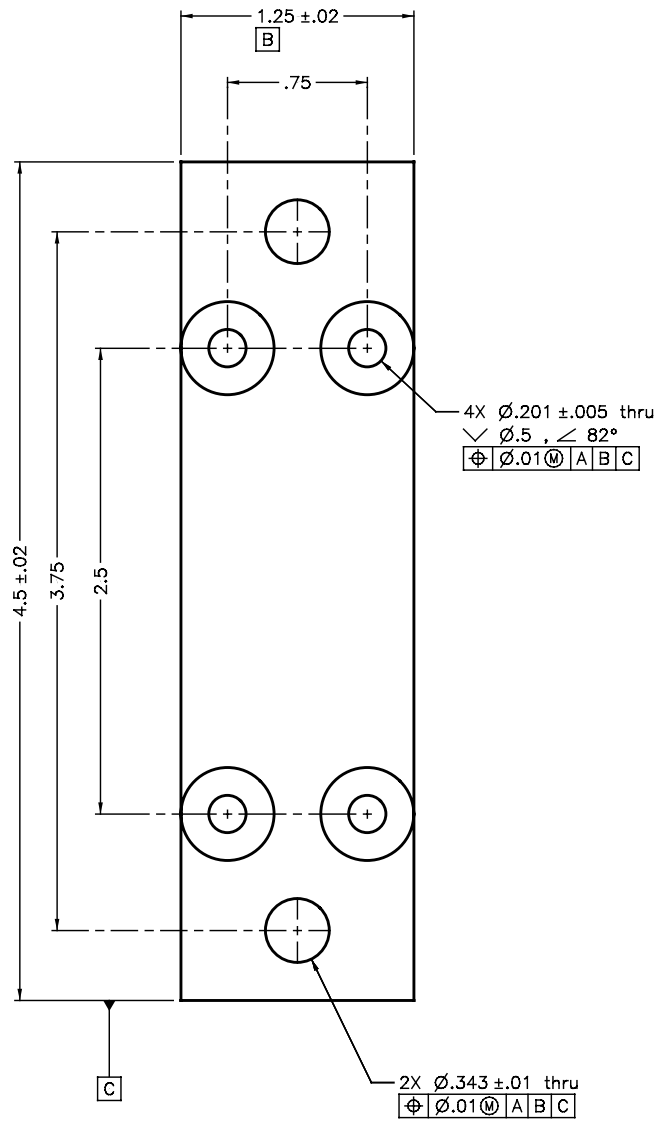


Band saw fence
Rear bracket
Material: 6061-T6 aluminum
Finish: Hard Anodize

Dimensioning and Tolerancing per ASME Y14.5
Units in inches



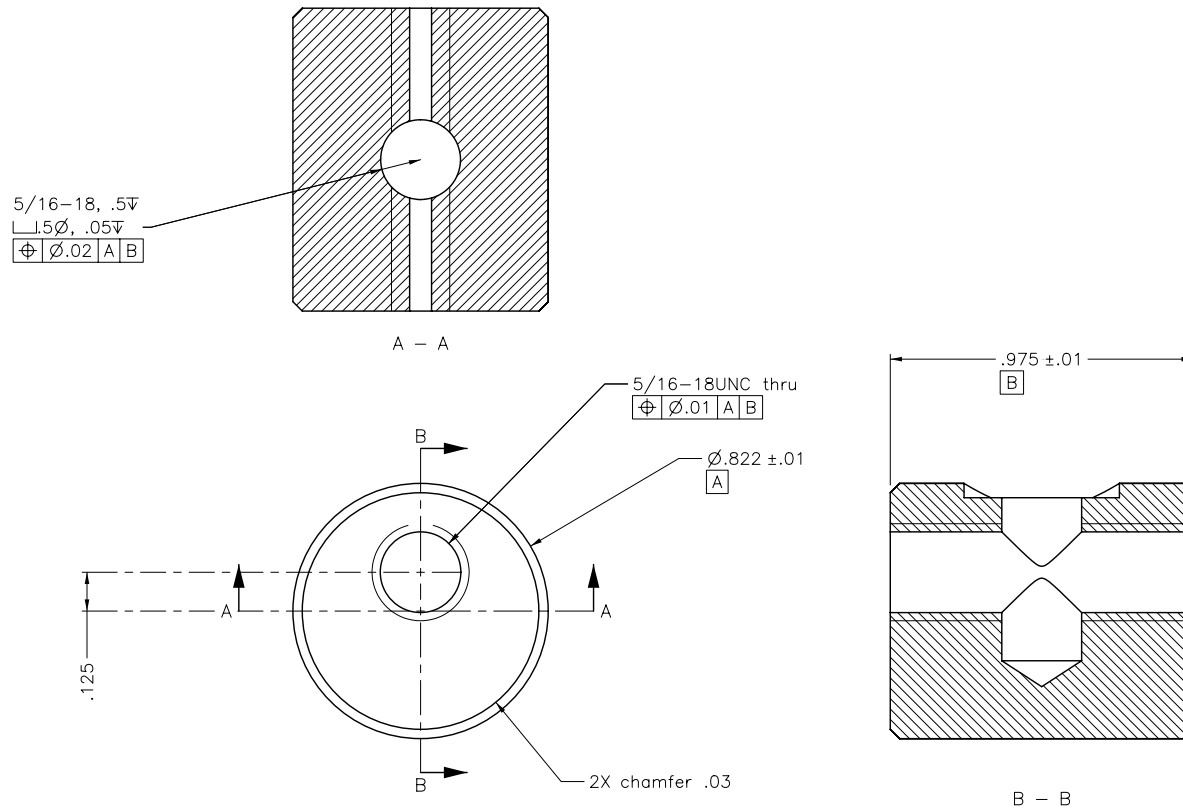
Band saw fence
Front rail
Material: steel



Dimensioning and Tolerancing per ASME Y14.5
 Units in inches
 Break all sharp edges .02 min

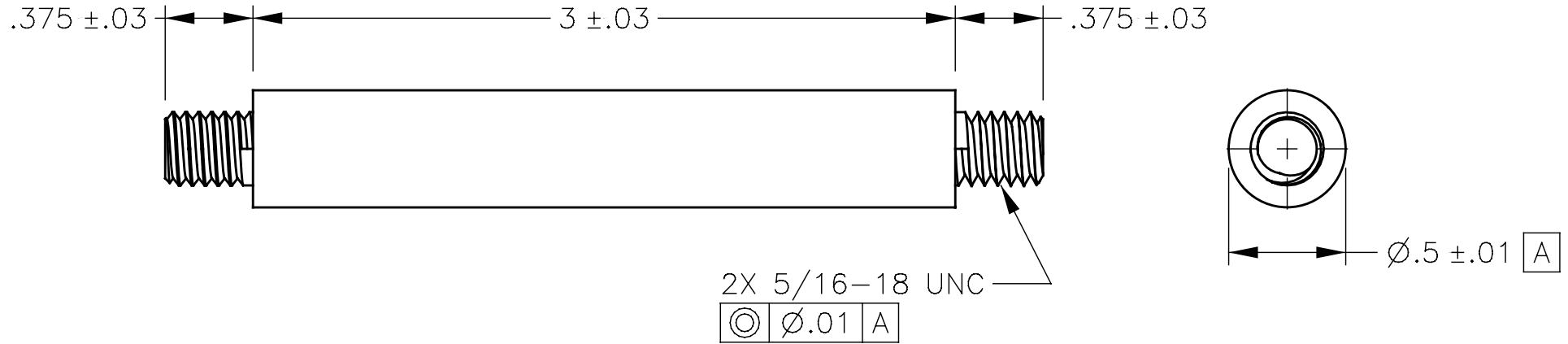
Band saw fence
 Adapter plate
 Material: Steel

Dimensioning and Tolerancing per ASME Y14.5
Units in inches



Band saw fence
Cam, locking
Material: Steel

Dimensioning and Tolerancing per ASME Y14.5
Units in inches



Band saw fence
Locking handle
Material: Steel